



WIRELESS DIGITAL DOOR CHIME

INSTRUCTION MANUAL
MODEL NO : DDB 26W

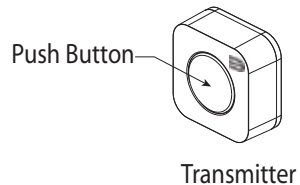
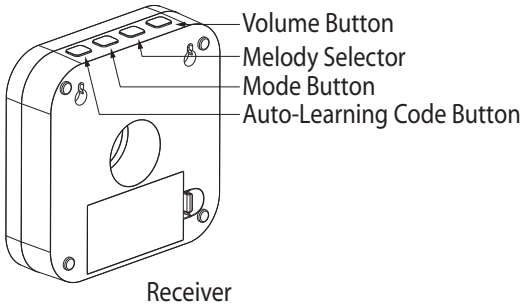
Accessories List:

- 1 x Receiver
- 4 x Wall Plugs
- 1 x 3 Volts CR2032 Battery for Transmitter
- 1 x Transmitter
- 4 x Screws
- 1 x User Manual
- 1 x Double-Sided Adhesive Tape

Technical Specification:

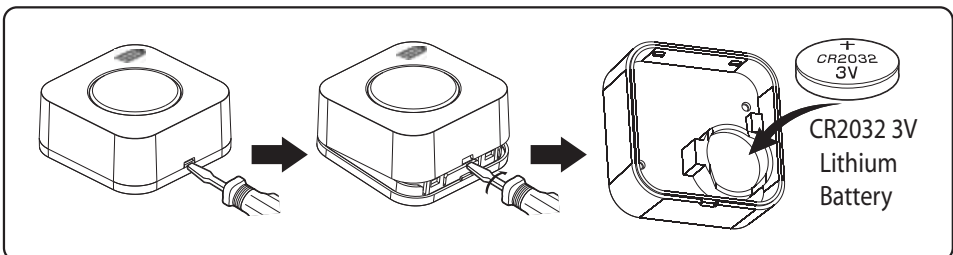
- Frequency: 433.92 MHz
- Ring Volume: >90dB (within 0.5m)
- Transmitting Power: $\leq 10\text{mW}$
- Channel Space: 1 million sets of auto-learning codes
- Receiver Power Consumption: <200uA
- Transmitter (Standby Mode): 5uA; Transmitter (Working Mode): <10mA
- Power Supply (Receiver): DC3V (2 X 1.5V AA Not Included)
- Power Supply (Transmitter): DC 3V (CR2032)
- Modulation Type: ASK
- Receiver Bandwidth: $\pm 90\text{ KHz}$
- Operating Range: <150m (in the open air)

Names for Parts



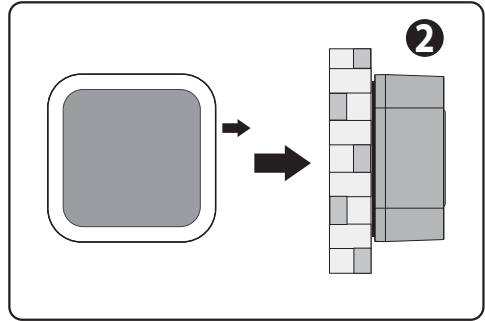
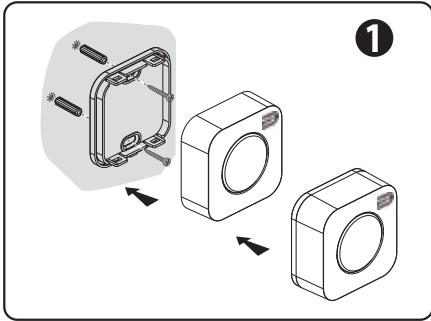
Battery Installation(Transmitter):

- Use a screwdriver to pry open the Transmitter cover. Gently twist the screwdriver to open.
- Place the CR2032 battery (included).



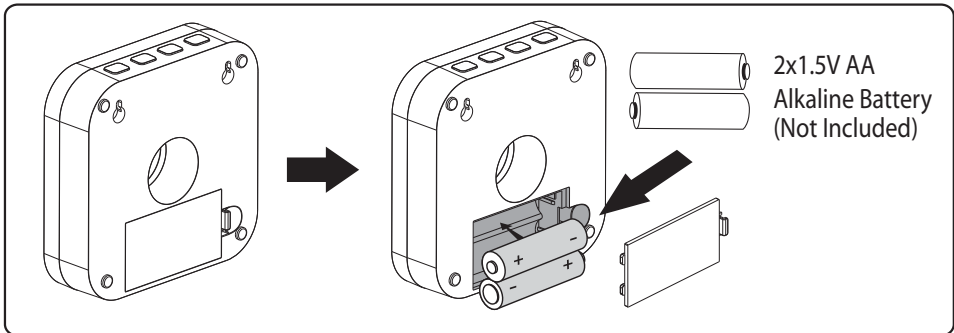
Transmitter Installation :

- Drill two holes on the wall where desired. The holes are about 6mm in diameter. The distance between the two holes is about 36mm. Insert two wall plugs (included) into both holes. Secure the Transmitter cover with two screws. Insert two screws (included) into the wall plugs. Now close the Transmitter (see image 1).
- Stick the Transmitter on the wall or the door with double-sided adhesive tape (see image 2).



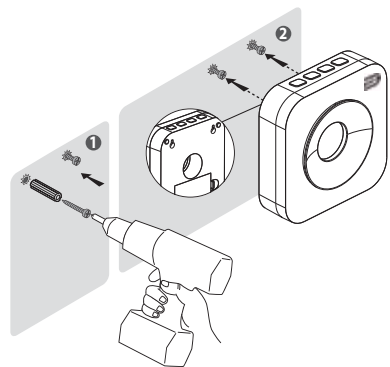
Battery Installation (Receiver):

- Remove the battery cover, insert batteries into the battery slot with the correct battery polarity.



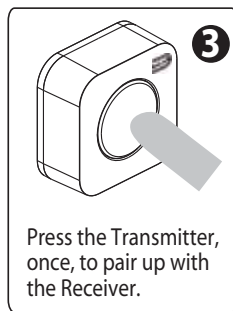
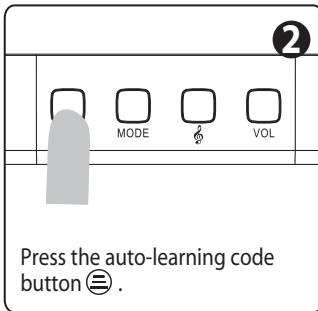
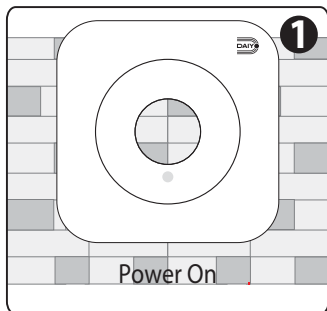
Receiver Installation:

- Drill two holes on the wall where desired. The holes are about 6mm in diameter. The distance between the two holes is about 56mm. Insert two wall plugs (included) into both holes. Insert two screws (included) into the wall plugs. Do NOT completely insert the screws into the wall plugs; allow part of the screws to jag out to hold the receiver. Finally, hang the Receiver.

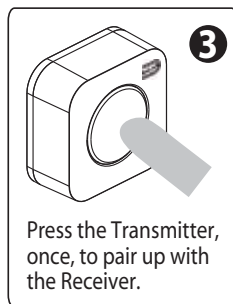
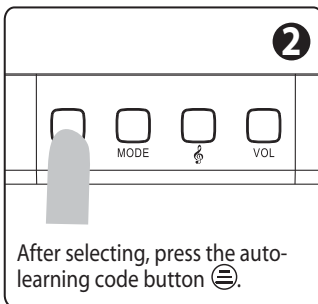
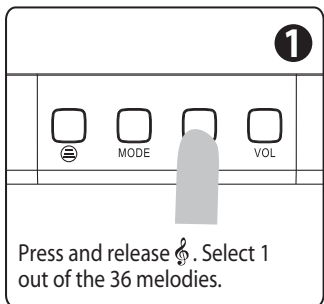


Avoid placing the Receiver on UPVC frames, above heat sources or in damp areas.

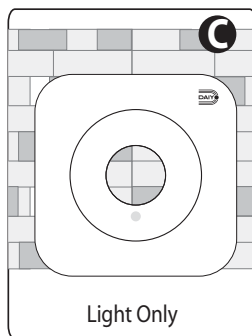
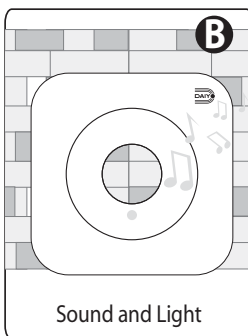
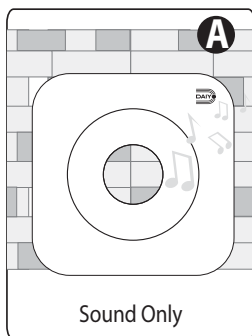
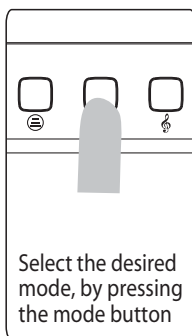
1. Receiver Installation:



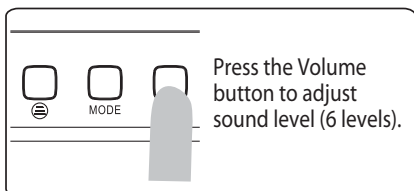
2. Melody Selection:



3. Mode Selection:



4. Volume Control:



Notes:

If the Receiver sounds when no one pressed the Transmitter, the Receiver is likely to be interfered by other similar door chimes nearby. Reset the auto-learning code by removing the batteries and following step 1 again.

IMPORTANT: PLEASE KEEP THESE INSTRUCTION SHEETS FOR FUTURE REFERENCE WHEN REPLACING BATTERIES